

MS-63U1C

USB-C Extender Set - up to 100m
for extending USB 3.2 Gen 1



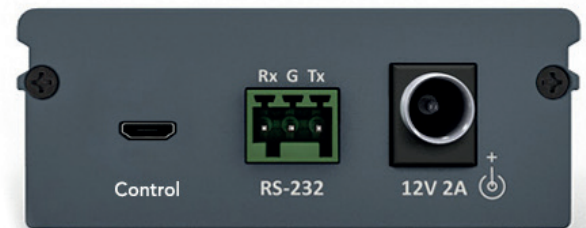
Description:

The MSolutions MS-63U1C is a professional grade USB-C 3.2 extender allowing for a single USB-C data channel to be extended to distances of up to 100m over a single CATx cable infrastructure. The extender features RS-232 serial pass-through, and bi-directional 12V PoC (Power over Cable), which expands the capabilities of this extender kit for a variety of commercial uses.

Key Features:

- Solves the challenge of extending USB 3.2 camera data and power over a single category cable up to 100m
- 1x USB-C channel for up to 5Gbps data connectivity of USB-C devices across the link
- Flexible USB extension for: USB-C PTZ cameras, hard drives, laptops and other USB-C peripherals
- Bi-directional RS-232 serial pass through
- Bi-directional 12V PoC (Power over Cable)

Device

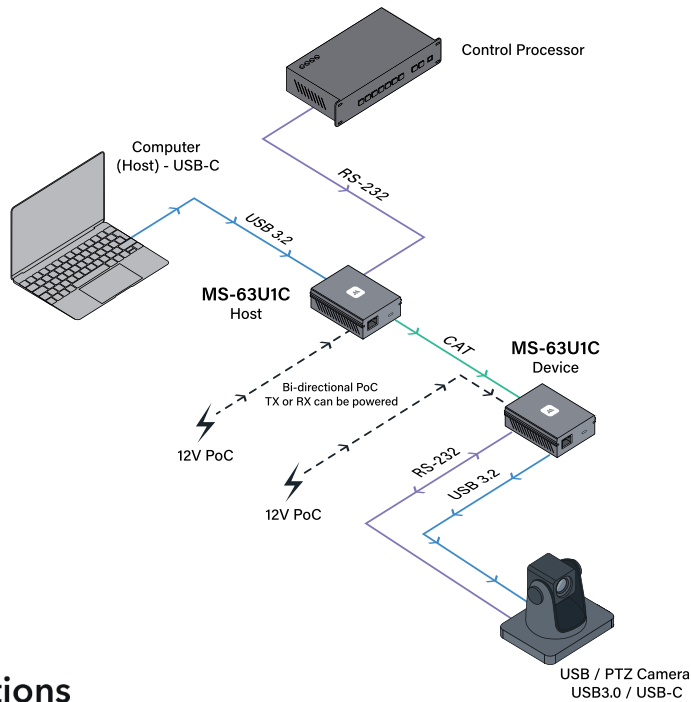


Host



USB-C Extender Set - up to 100m
for extending USB 3.2 Gen 1

MS-63U1C Schematic



MS-63U1C Host



MS-63U1C Device



USB 3.2
CAT
RS-232
Power



Specifications:

- USB connectivity Host: 1x USB-C (female) - data only
- USB connectivity Device: 1x USB-C (female) - data only
- Micro-USB connectivity (Host & Device): for product update, and Cloud control (future)
- RS-232 connectivity (Host & Device): 1x 3-pin phoenix connector, block included
- Power supply: 1x 12V 2A DC - connections on either Host or Device
- Power consumption: 3W
- Individual unit dimensions (W x D x H): 60 x 84 x 25mm
- Individual unit weight: 0.1kg
- Package dimensions (W x D x H): 163 x 147 x 85mm
- Package weight: 0.5kg
- Master carton quantity: 18
- Master carton dimensions (W x D x H): 540 x 270 x 260mm
- Master carton weight: 10kg
- Operating temperature: 32°F to 104°F (0°C to 40°C)
- Storage temperature: -4°F to 140°F (-20°C to 60°C)
- Operating humidity: 0-80% non condensing

