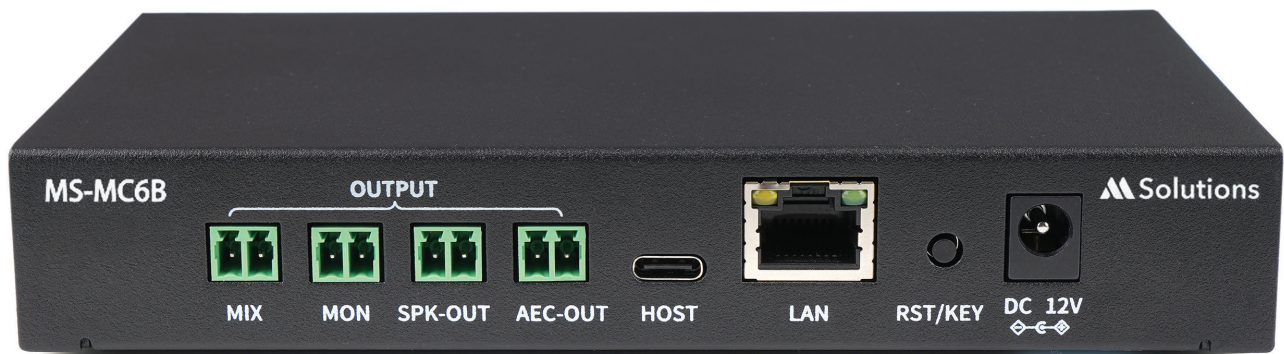




User Guide

MS-MC6B

Digital Audio Cascading Unit



Contents

Introduction	03
Key Features	03
Quick Start Guide	04
Packing List	04
Appearance and Interface	04
Product Features	05
Product Specifications	05
Product Dimensions	05
Interface Description	06
Network Application	06

Notices

- This MSolutions product contains electrical components that may be damaged by electrical spikes, surges, electric shock, lightning strikes, etc. Use of surge protection is highly recommended in order to protect and extend the life of your equipment.
- The transmission distances of HDMI over CAT cables are measured using TE CONNECTIVITY 1427071-6 EIA/TIA-568-B termination (T568B) of cables is recommended for optimal performance. To minimise interference of unshielded twisted pairs in the CAT5e/6 cable, do not run the HDBaseT / CAT5e/6/6a cabling with or in close parallel proximity to mains power cables.
- Do not substitute or use any other power supply other than the enclosed unit, or an MSolutions approved replacement. Do not disassemble either the Transmitter or Receiver units for any reason. Doing so will void the manufacturer’s warranty.
- MSolutions reserves the right to change the specifications of this unit without prior notice. As a result of this, physical representations or graphical elements contained within this user guide may not be accurate.

Introduction

The MS-MC6 cascade digital array microphone adopts advanced technologies, including blind beamforming adaptive fast pickup algorithm, intelligent voice tracking, intelligent noise reduction, echo cancellation, automatic gain and de-reverberation. It features a built-in powerful audio processing unit, with ultra-low signal processing latency, and is equipped with infrared remote control. The MC6B is a digital audio processor that allows cascading of upto six MS-MC6 microphones, to achieve even coverage over larger conference rooms.

Key Features

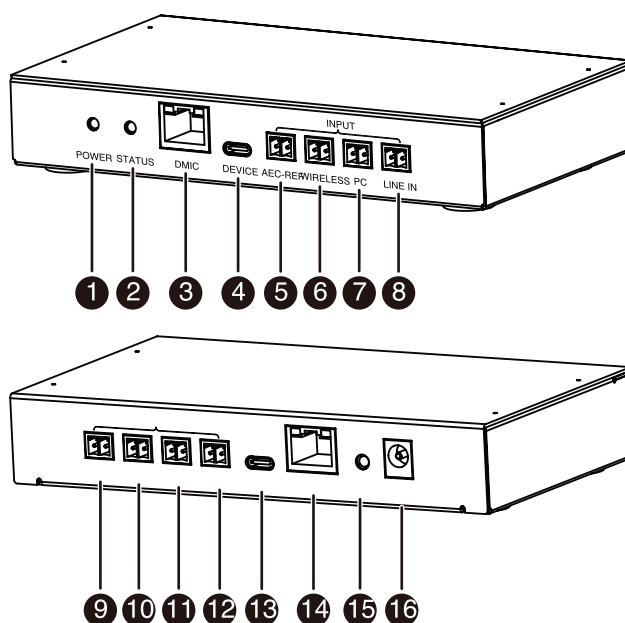
- Adopts specially designed chips, embedded architecture, professional digital audio processing, precise volume control, high efficiency and low delay.
- Integrates new-generation digital audio technologies such as automatic noise suppression (ANS), automatic gain control (AGC), automatic echo cancellation (AEC), automatic equalization, intelligent microphone mixing, anti-reverberation.
- Supports up to 6 cascade microphone input and 4-channel line input. Supports extended wireless microphone, 4-channel line output, USB audio input and output.
- Supports standard POE to power digital microphone, RJ45, USB and line audio interface connection. Features plug and play, simple wiring, long-distance transmission and strong anti-interference ability.

Quick Start Guide

1 Packing List

Name	Quantity	Name	Quantity
Audio Processor	1	Audio Conversion Cable	1
Power Adapter	1	Quick Start Guide	1
Phoenix Head	8	-	-

2 Appearance and Interface



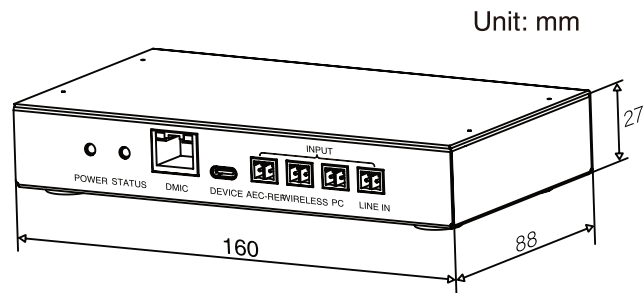
No.	Name	Description
1	POWER	Power indicator, always on when powered on.
2	STATUS	Status indicator, will flash quickly when the microphone is not connected or when interacting with the microphone, and will flash slowly after the interaction with the microphone is completed.
3	DMIC	Digital microphone interface, support standard POE power supply, connecting microphone through POE network cable.
4	DEVICE	USB audio interface, used as the device to connect USB host.
5	AEC-REF	Audio input interface, which can input the audio reference signal sent from the remote classroom.
6	WIRELESS	Audio input interface, which can input audio signal of local wireless microphone.
7	PC	Audio input interface, which can input audio signal of local PC.
8	LINE IN	Audio input interface, which can input audio signal of local line audio equipment.
9	MIX	Audio output interface, which can mix and output the sound collected by the local microphone and the audio signal sent from the remote classroom to the recording host, etc.

No.	Name	Description
9	MIX	Audio output interface, which can mix and output the sound collected by the local microphone and the audio signal sent from the remote classroom to the recording host, etc.
10	MON	Audio output interface, which can output the collected sound from the local microphone to the local monitoring device.
11	SPK-OUT	Audio output interface, which can output the audio signal sent from the remote classroom to the local speaker.
12	AEC-OUT	Audio output interface, which can output the collected sound from the local microphone to the local terminal or recording host, etc.
13	HOST	Reserved USB host interface (not enabled).
14	LAN	RJ45 interface, connected to configuration computer or network switch.
15	RST/KEY	Reset key, used to restore the default parameters of the device.
16	DC 12V	Power adapter DC interface, 12V/3A.

3 Product Specifications

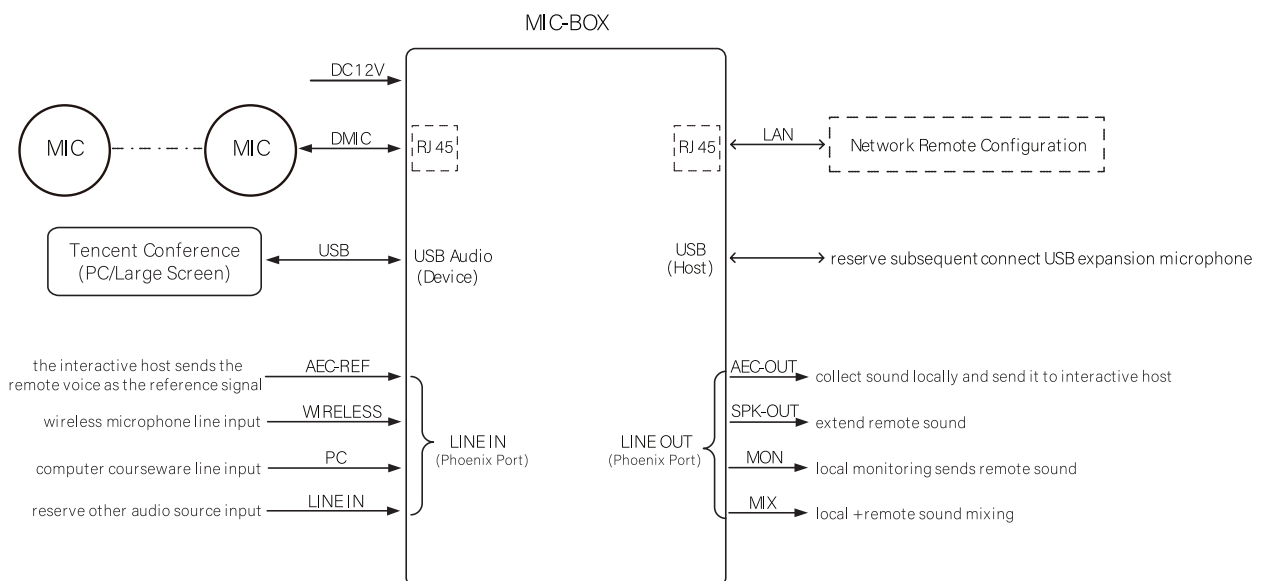
Hardware Interfaces	
Network Interface	1 x uplink LAN interface
	1 x downlink cascade DMIC interface, cascade up to 6 microphones
USB Interface	1 x DEVICE interface, used as USB audio device to connect USB host (such as PC)
	1 x HOST interface, used as USB host to connect USB device
Audio Interface	4 x INPUT phoenix interface, unbalanced line audio input
	4 x OUTPUT phoenix interface, unbalanced line audio output
Power Interface	DC 12V
General Specifications	
Power Supply	DC 12V/3A
POE	POE 48V power supply, support IEEE802.3 AT
Dimension	160mm x 88mm x 27mm
Net Weight	0.4Kg

4 Product Dimensions



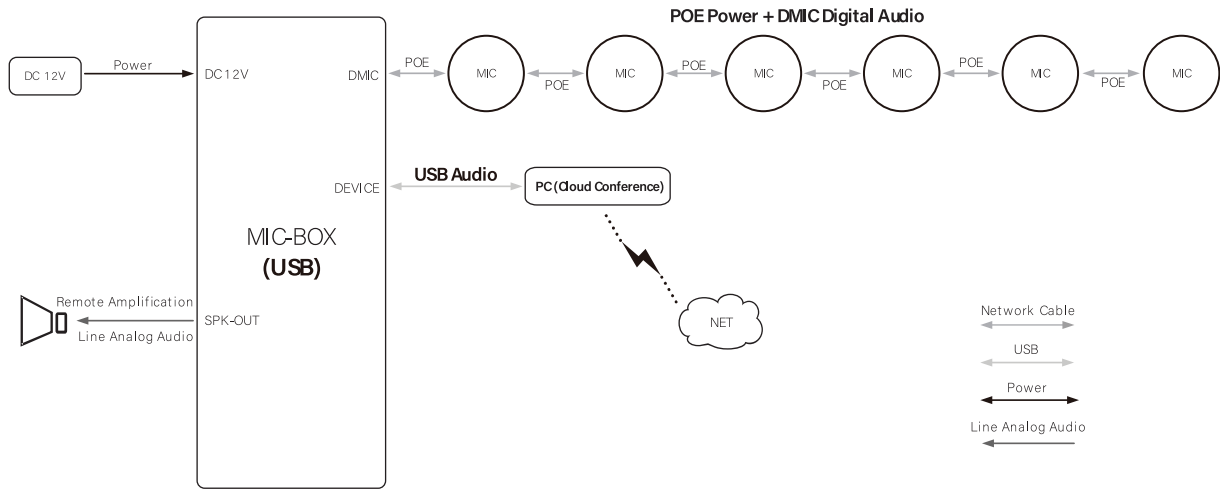
Unit: mm

5 Interface Description

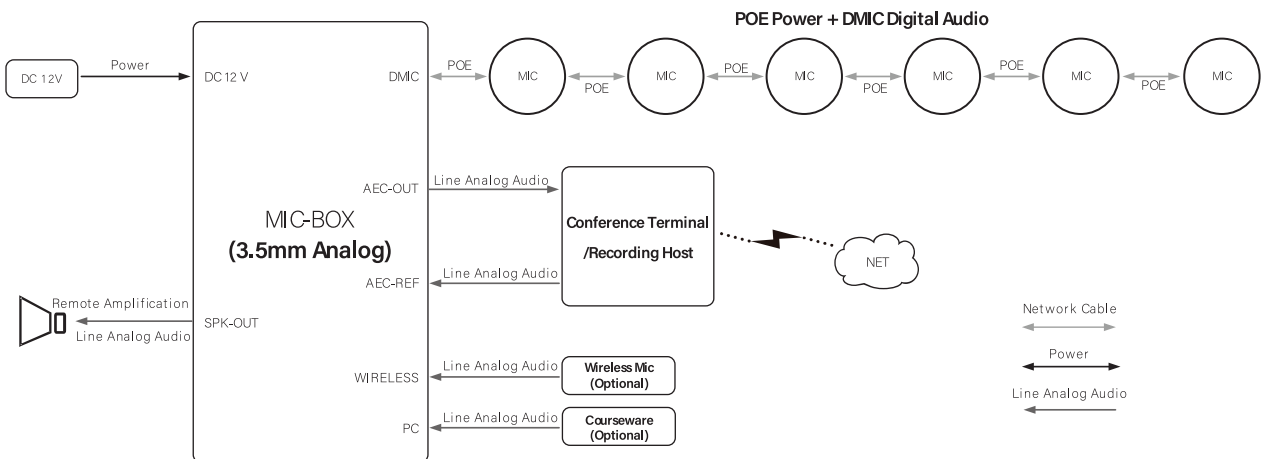


6 Network Application

6.1 USB Application



6.2 3.5mm Analog Application





www.m4sol.com