



# Installation Guide

**MS-W02**

Wall Mount



# What's Included

Pieces	Item
1	Wall Mount
1	Cross recessed, pan head with tail machine teeth screw, UNC 1/4"-20*8
5	Cross recessed, pan head with dielectric flat tail machiend screws, PWM3*6



# Not Included

Pieces	Item
4	*M5 Expansion screws

\* These screws need to be provided by the installer based on the thickness of the ceiling.

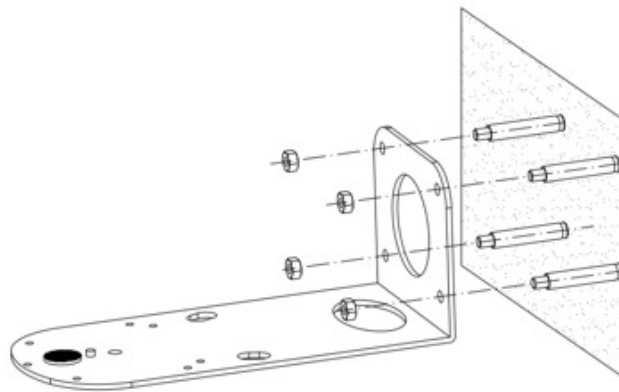
Caution: It is the responsibility of the installer to ensure the camera and its mounting hardware are firmly secured, so that the camera does not fall. Anchoring hardware appropriate to the wall type must be selected and provided by the installer.

# Installation

**Step 1.**

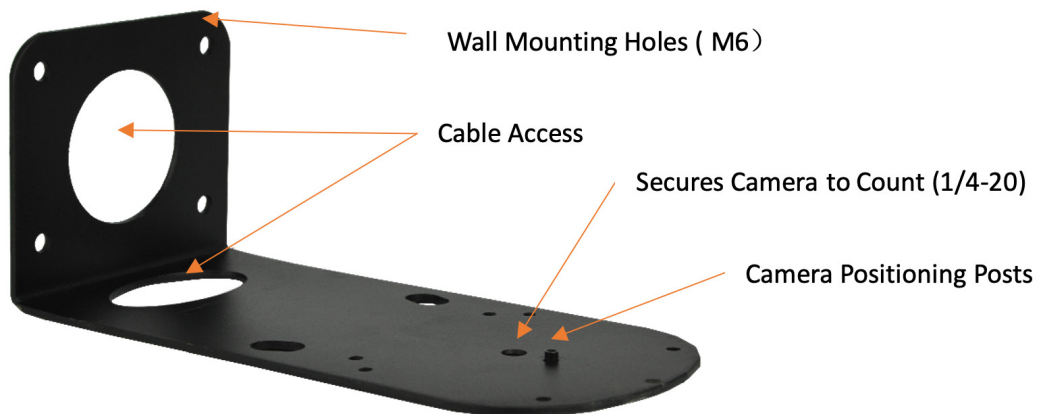
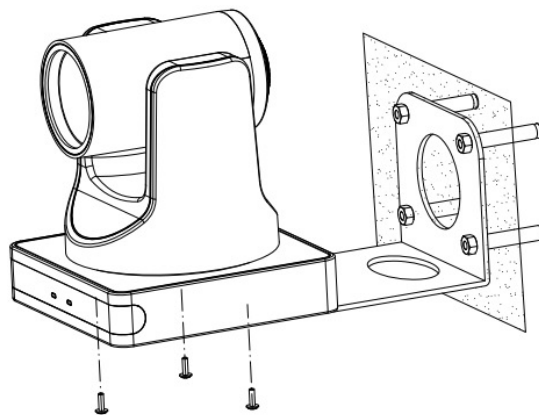
- a) Position on wall and mark wall for anchor placement.
- b) Pre-drill holes in wall.
- c) Secure mount to wall using M5 expansion screws (not included).

NOTE: Check depth of the mounting holes by inserting a straw or toothpick, and measure against the length of screws.



**Step 2.**

- a) Attach camera to mount.
- b) Secure using PMW3\*6 screws.





[www.m4sol.com](http://www.m4sol.com)