

MS-070SP

HDBaseT Extender Set with SPDIF

M Solutions



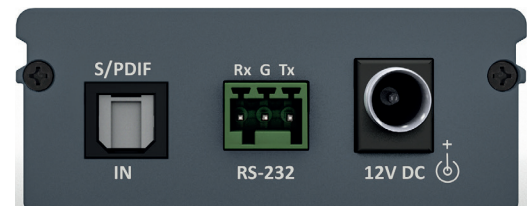
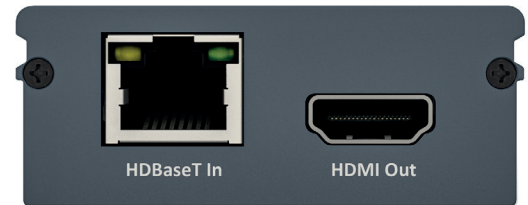
Description:

The MSolutions MS-070SP is a 4K HDMI extender using uncompressed HDBaseT technology to extend 4K UHD & HDR video (10.2Gbps) to a distance of up to 40m over single CAT cable with 1080p or lower resolutions to up to 70m. The extender provides bi-directional RS-232 and a S/PDIF audio return enables the sink to return audio to an audio amplification. Bi-directional PoC (Power over Cable) allows for either the TX or RX to be powered.

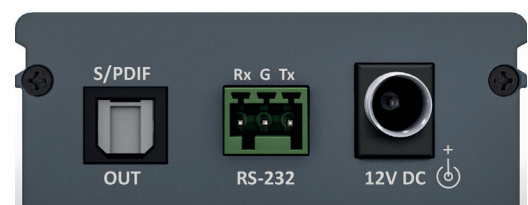
Key Features:

- Uncompressed extension of HDMI at resolutions up to 4K 60Hz 4:2:0 / 4K 30Hz 4:4:4 using HDBaseT technology
- 4K signal extension to 40m over single CAT including HDR formats supported under 10.2Gbps
- 1080p or lower video resolutions up to 70m over single CAT
- Supports HDMI pass-through all known HDMI audio formats including Dolby Atmos / DTS:X
- Bi-directional 12V PoC (Power over Cable)
- Bi-directional RS-232 serial pass through
- S/PDIF (Digital Optical Toslink) connectivity (RX to TX)
- CEC (Consumer Electronics Control) pass through
- HDCP2.2 compliant

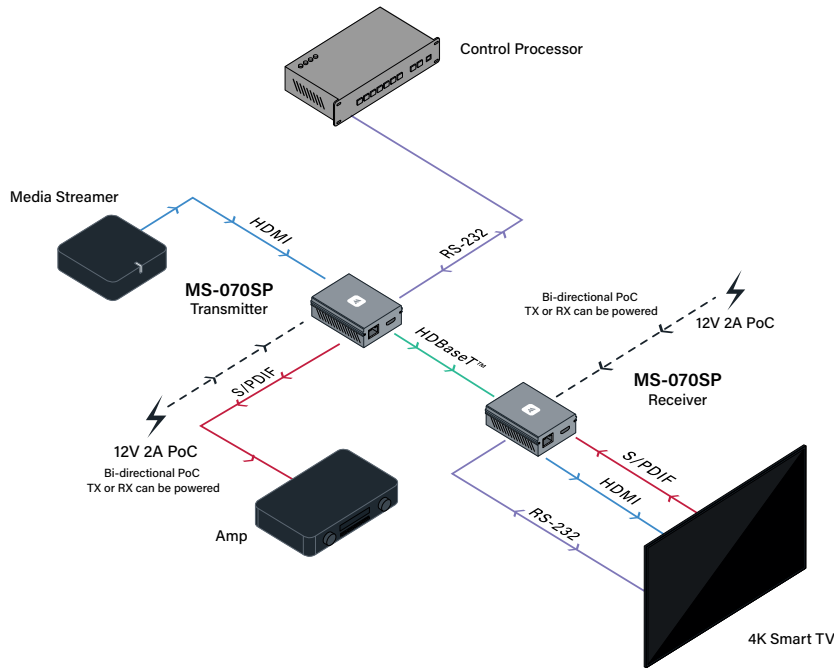
Receiver



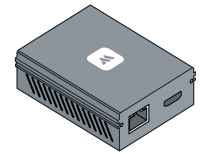
Transmitter



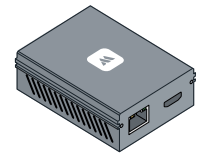
MS-070SP Schematic



MS-070SP
Transmitter



MS-070SP
Receiver



HDMI	—
HDBaseT™	—
RS-232	—
Audio	—

Solutions

Specifications:

- Video connectivity TX: 1x HDMI input (female), 1x HDBaseT output (RJ45 keystone)
- Video connectivity RX: 1x HDBaseT input (RJ45 keystone), 1x HDMI output (female)
- Digital audio connectivity (RX to TX): 1x S/PDIF Toslink Optical
- RS-232 connectivity (TX & RX): 1x 3-pin phoenic connector, block included
- Power supply: 1x 12V 2A DC
- Power consumption: 7.5W
- Individual unit dimensions (W x D x H): 60 x 84 x 25mm
- Individual unit weight: 0.1kg
- Package dimensions (W x D x H): 163 x 147 x 85mm
- Package weight: 0.5kg
- Operating temperature: 32°F to 119°F (0°C to 48°C)
- Storage temperature: -4°F to 140°F (-20°C to 60°C)
- Operating humidity: 0-80% non condensing



Version - RevA0

UK: +44 (0)115 824 0296
 EU: +34 911 232 072
 USA (Toll Free): +1 888 3458995
 Israel: +972 3 7207710
 sales@m4sol.com

Solutions
 From ideas to reality.