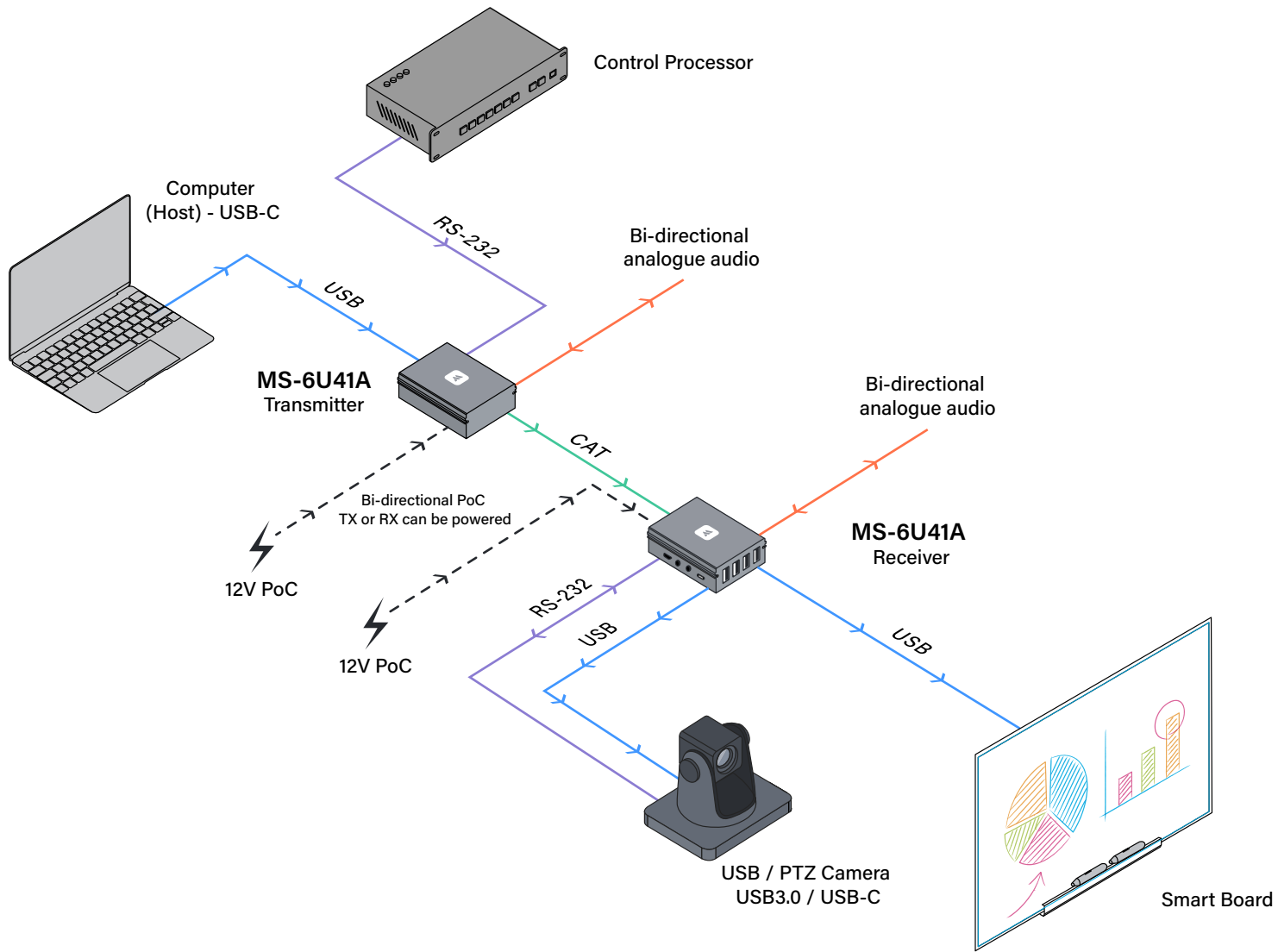
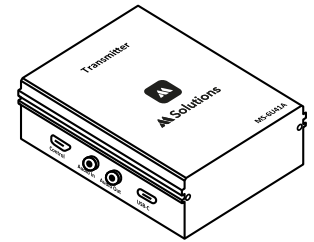


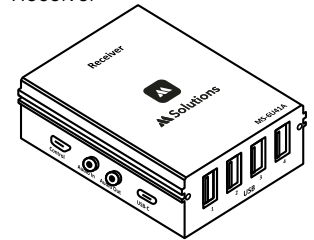
MS-6U41A Schematic



MS-6U41A
Transmitter



MS-6U41A
Receiver



- USB —
- CAT —
- 2ch Audio —
- RS-232 —
- Power —